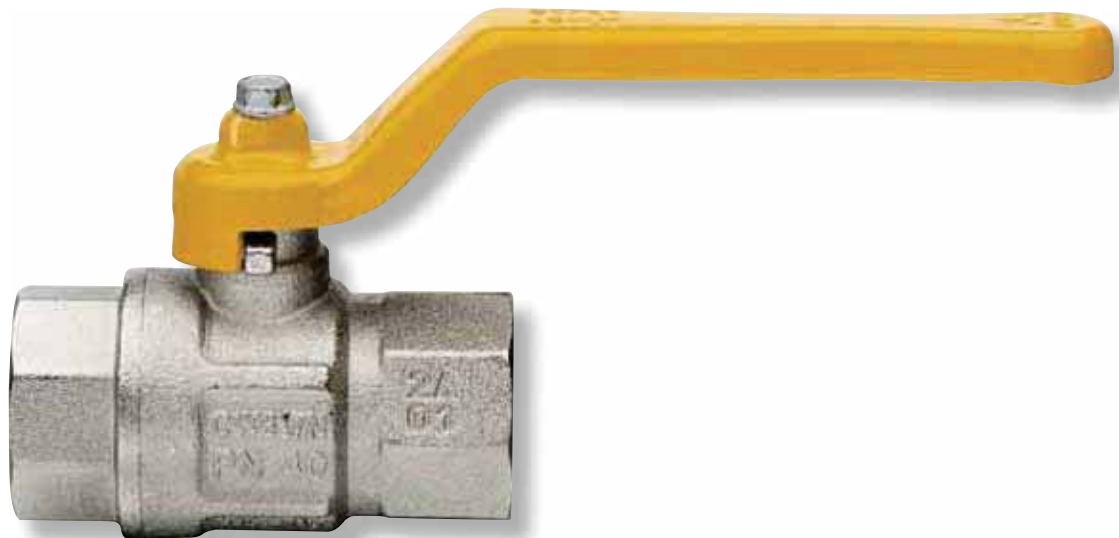


GAS BALL VALVES, FULL FLOW



Code	Packing	Dimension	Pmax
BV008-FF	12/192	1/4" (DN 8)	PN50
BV010-FF	12/192	3/8" (DN 10)	PN50
BV015-FF	10/100	1/2" (DN 15)	PN50
BV020-FF	8/64	3/4" (DN 20)	PN40
BV025-FF	6/48	1" (DN 25)	PN30
BV032-FF	4/32	1"1/4 (DN 32)	PN30
BV040-FF	2/16	1"1/2 (DN 40)	PN30
BV050-FF	2/14	2" (DN 50)	PN25

TECHNICAL FEATURES

Model Female threads. Lever handle in steel.

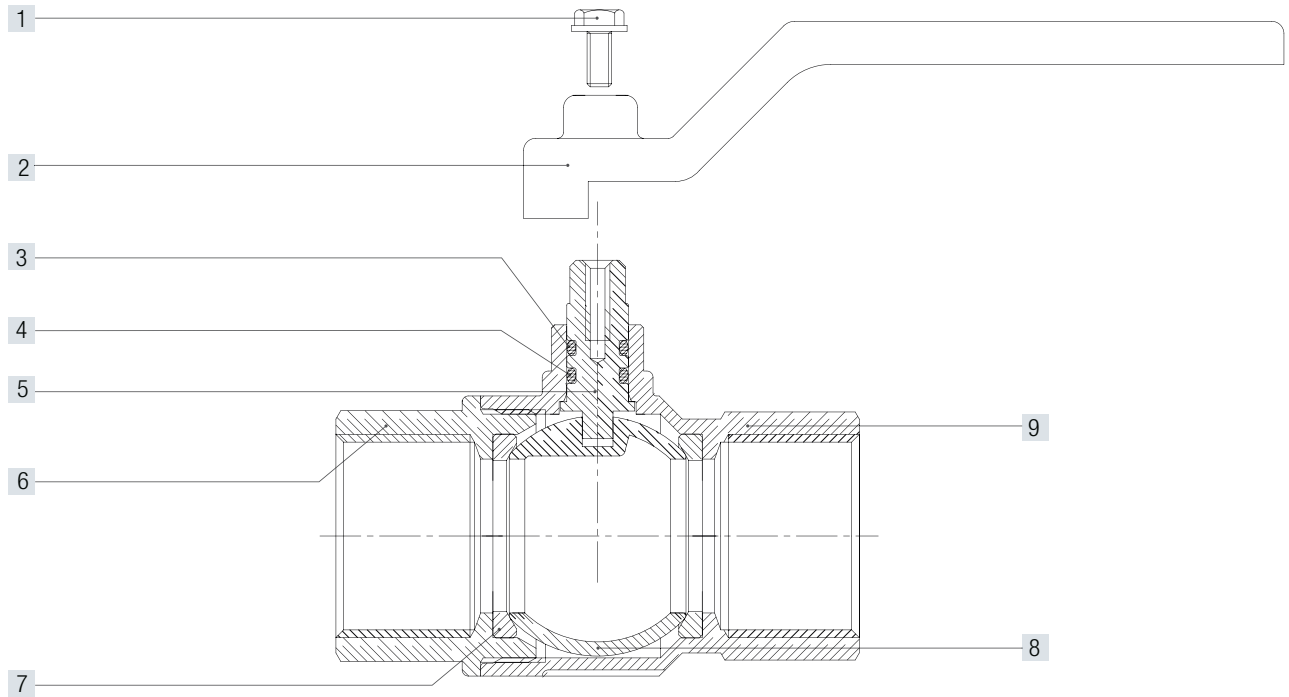
Inlet - Outlet Connection Female thread ISO 7/1 Rp parallel (equivalent to DIN EN 10226-1 and BS EN 10226-1) NPT threads on request

Working Temperature - 20° C, + 60° C.

Approval EN 331

Materials:

Complete Body Body in nickel-plated brass.



1	Screw
2	Lever handle
3	O-Ring
4	O-Ring
5	Stem
6	End adapter
7	Seat
8	Ball
9	Body

POS.	DESCRIPTION	N	MATERIAL
1	Screw	1	Zinc-plated steel Fe CB4
2	Lever handle	1	Zinc-plated and varnished steel Fe.P.04
3	O-Ring	1	VITON®
4	O-Ring	1	NBR
5	Stem	1	Brass CW614N
6	End adapter	1	Nickel-plated brass CW617N
7	Seat	1	P.T.F.E.
8	Ball	1	Chrome-plated brass CW617N
9	Body	1	Nickel-plated brass CW617N

DIMENSIONS (mm)								
Dimension	DN	A	B	C	D	E	F	CH
¼"	8	49,5	23,5	37,3	80	10	11	18
¾"	10	52,4	24	37,3	80	10	11,4	21
½"	15	61	30,5	48,8	88,5	15	15	25
¾"	20	68	37	54,8	113	20	16,3	31
1"	25	85	45,5	56,8	113	25	19,1	38
1" ¼"	32	99,5	58	75	138	32	21,4	47
1" ½"	40	109	71	90,3	157,8	40	21,4	54
2"	50	130	85	97,3	157,8	50	25,7	66

