

- Company dedicated to technical supplies of valves, loading arms and equipment for the petrochemical industry since 2000.
- With a presence in petrochemical, chemical, pharmaceutical, gas industries and renewable energies.
- Technical assistance for installation.



Petrochemical industry
Petrol loading bays



Chemical industry
Pharmaceutical industry



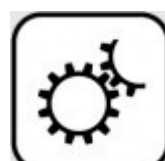
Food Industry



Treatment plants
Biogas



Marine terminals
Storage plants



Mechanical industry
Industrial plants



LPG plants
Gas loading bays



Power generation
Thermosolar plants
Biodiesel plants

With global presence of our products in the world

- United States
- Mexico

- Panama

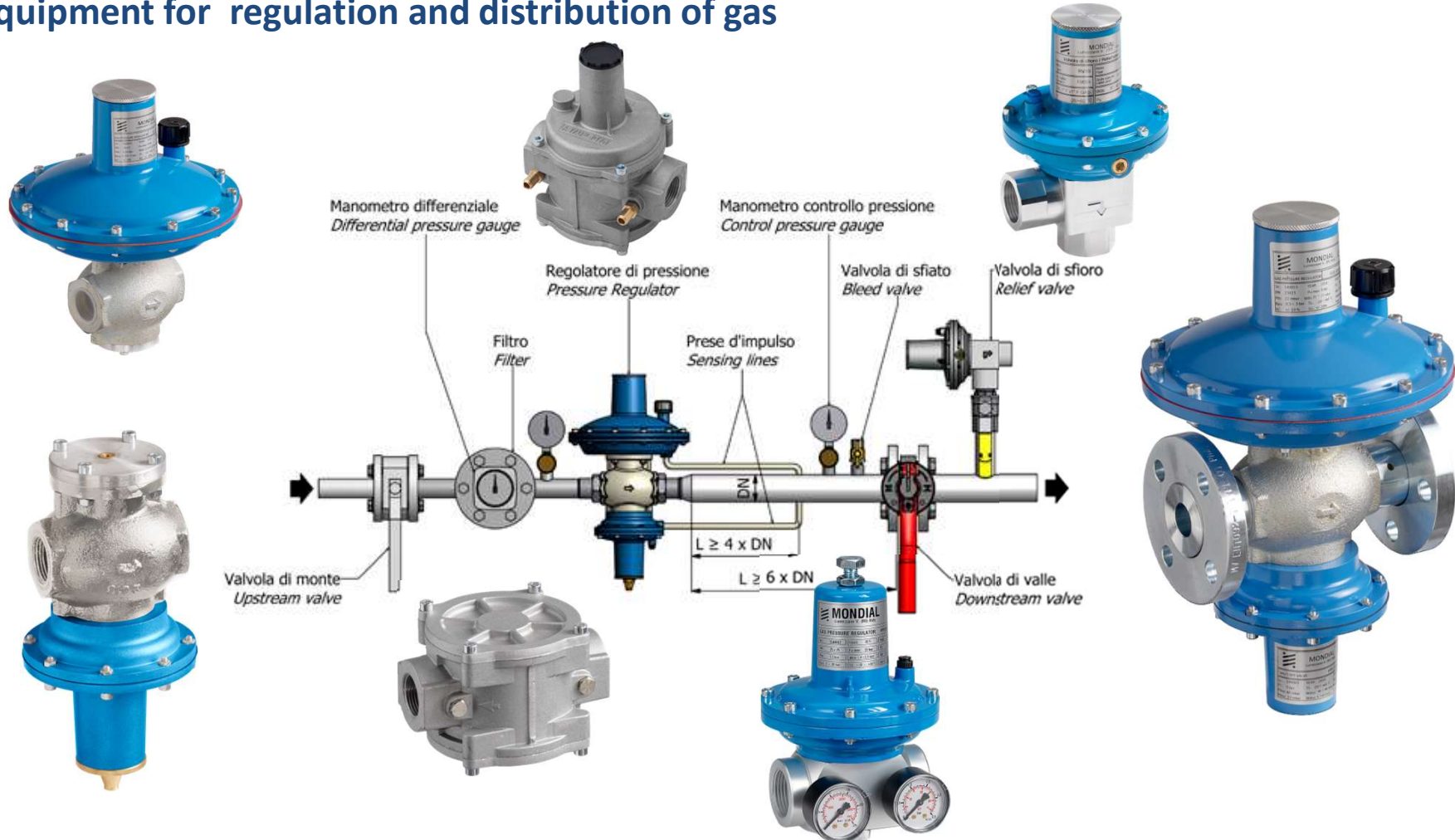
- Chile
- Uruguay
- Ecuador
- Peru
- Colombia



- Germany
- Belgium
- Holland
- France
- Italy
- United Kingdom
- Russia

- Morocco
- Algeria
- Tunisia
- Nigeria
- Saudi Arabia

Equipment for regulation and distribution of gas



• Direct action regulators.

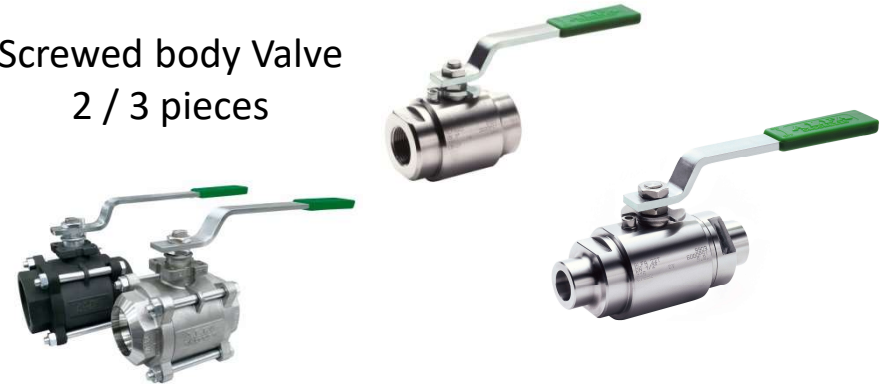
• UPSO and OPSO safety valves

• Filters and Gas Governors

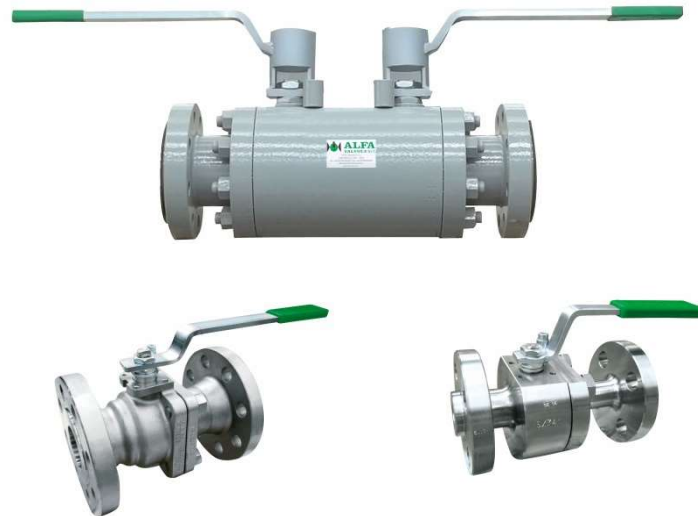
Wafer Valve
Casting / Bar Stock Body



Screwed body Valve
2 / 3 pieces



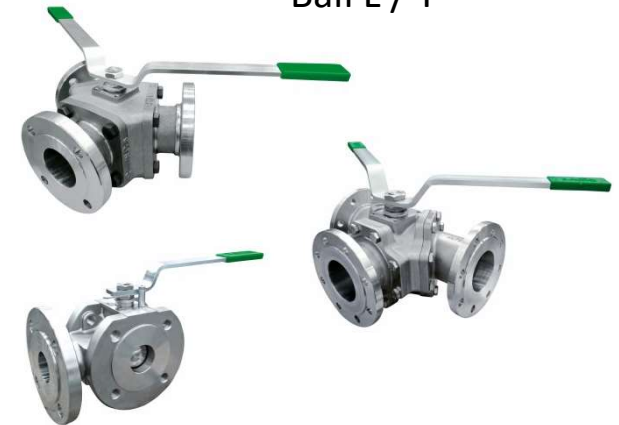
Split Body Valve
DIN / ANSI



Trunnion Valve
ANSI 150 - 1500



3 Way Valve
Ball L / T



Filters P_{max}6 bar



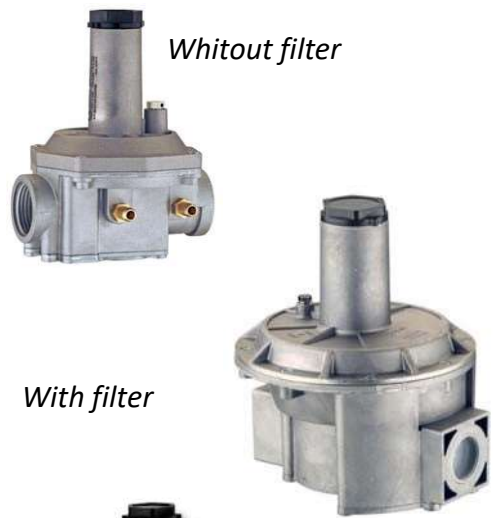
Relief Valve P_{max}6 bar



Slam Shut Valve P_{max}6 bar



Gas Governors 0,5 – 1 – 5bar



Whitout filter

With filter

**Solenoid Valves Manual Reset
550 mbar and 6 bar
12 VCC – 24 VCC – 230 VAC**

Normaly Open

Normaly Close

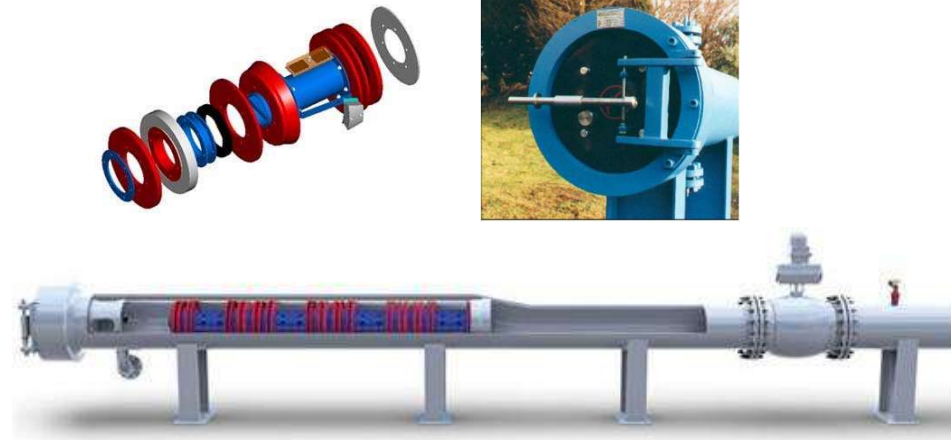


**Automatic Solenoid Valves
360 mbar and 6 bar
12VCC – 24 VCC – 230 VAC**



*With Slam Shut
OPSO & UPSO*

Equipment for loading/unloading ships, tankers and rails



- Marine loading arms
- Loading arms
- Emergency couplings
- Ship loading hoses
- Hoses for trucks
- Earthing systems
- Swivel joints

- Pigs for batching, cleaning and discharging pipes
- Quick opening closures (QOC)
- Pig signalers

Valves and static equipment for storage plants (I)

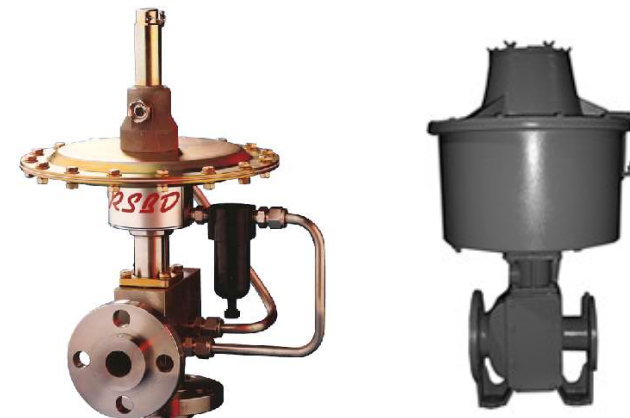


- Pressure and relief valves
- Flame arresters
- Manhole / Emergency valves
- Gauge hatches for tanks

- Pilot operated pressure and relief valves



- Tank bottom valves
- Safety valves according API 520, 526, 527



- Vapor guard tank blanketing valves
- Pressure regulators for vapor recovery

IG/LNG



Industrial Gases

- LNG
- Oxygen
- Nitrogen
- Argon
- Helium
- Hydrogen
- Carbon Dioxide

Growth Drivers

- Efficiency
- Environmental
- Health and Safety
- Fuel cost
- Convenience

End Use

- Energy & Power
- Industrial prod
- Chemical proc
- Metallurgical
- Food/Beverage
- Electronics prod

Applications

- Air Separation Units
- Bulk Tank
- Bulk Transport
- Micro Bulk
- Liquid Cylinder
- Vehicle Cylinder
- Point of Use



Master and line station valves

Regulators

Manifolds

Globe, Gate and Check Valves

Point of Use

LPG/NH3



Growth Drivers

- Domestic Use
- Combustion Engines
- Clean Energy

End Use

- Domestic
- Agriculture
- Industry
- Transport
- Refinery
- Chemical

Applications

- Bulk Storage
- Bulk Transport
- Rail
- Bobtail
- Domestic storage



Regulators

Ductile Iron

Brass Valves

Valves and static equipment for storage plants (II)



- Screens
- Filter baskets
- Reactor internals
- Seals for floating roofs



- Float level indicators



- Level indicators
- Buoy levels
- Alarm switch for overfilling

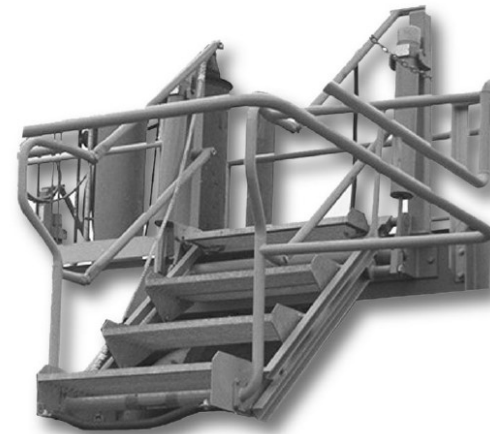


- Floating suctions
- Swivels for tanks
- Drainages for floating roofs

Loading bays of hydrocarbons



- Loading arms



- Folding stairs



- Earthing systems
- Overfill and Ground Verification Controller



- Overfilling levels

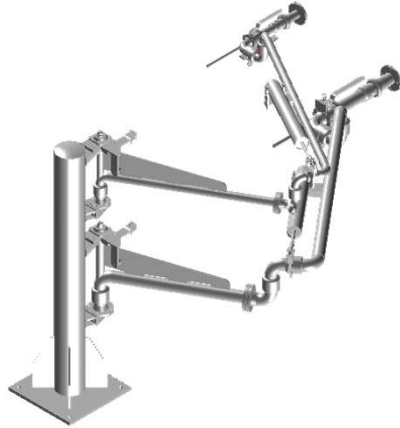


- Hoses and dry couplings



- Motor pump groups

Equipment for LPG



- Loading stations



- Oil free compressors



- Weco Hammer lug unions
- Valves for hoses
- Dry couplings



- Rego security valves
- Excess flow valves



- Pressure regulators



- Globe and angle valves for trucks and tanks

Thermoplastic Control valves termoplásticas for ultrapure and corrosive atmospheres



- Pressure Safety valves
- Pressure regulators
- Solenoid and control valves
- Vent valves and drain valves
- Check valves



- 3 way valves
- Pinch valves
- Level indicators and Sight Glasses
- Manifold Valves
- Metering Pumps



Equipment and valves for cryogenic services

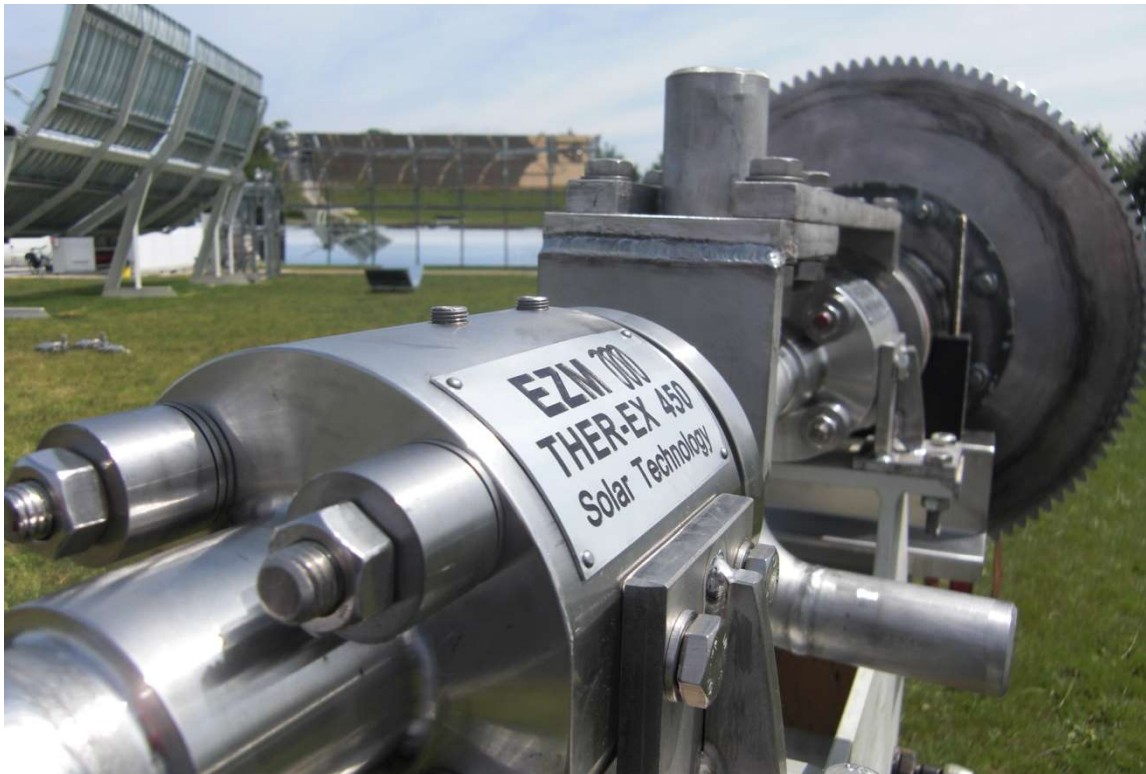


- Couplings
- Metal hoses
- Emergency breakaways



- Valves for cryogenic services and LNG
- Valves for medical gases
- Filling Valves for bottles
- Cryogenic and medical regulators

Equipment for thermosolar plants



- Swivel joints for high temperatures, 400 °C



- CO₂ absorber vapour lock