

VÁLVULAS DE PRESIÓN Y VACÍO CON MUELLE SPRING LOADED PRESSURE AND VACUUM RELIEF VALVES

SERIE B100 – VÁLVULAS DE PRESIÓN Y VACÍO CON MUELLE

SERIE B100 – COMBINED PRESSURE AND VACUUM RELIEF VALVES SPRING LOADED

- **MODELO B100S 2", 3", 4", 6", 8" 10", 12"**
Válvula de presión con muelle y vacío / Pressure and vacuum relief valve spring loaded
Tarados a presión: 80 mbarg a 2.000 mbarg / Tarados a vacío: -2 mbarg a -800 mbarg /
Standard Pressure settings: 80 mbarg to 2.000 mbarg / Standard Vacuum settings: -2 mbarg to -800 mbarg
- **MODELO B100SS 2", 3", 4", 6", 8" 10", 12"**
Válvula de presión y vacío con muelle / Pressure and vacuum relief valve spring loaded
Tarados a presión: 80 mbarg a 2.000 mbarg / Tarados a vacío: -2 mbarg a -800 mbarg /
Standard Pressure settings: 80 mbarg to 2.000 mbarg / Standard Vacuum settings: -2 mbarg to -800 mbarg
- **MODELO B100CVS 2", 3", 4", 6", 8" 10", 12"**
Válvula de presión con muelle, vacío y escape conducido /
Pressure&vacuum relief valve spring loaded piped away
Tarados a presión: 80 mbarg a 1.000 mbarg / Tarados a vacío: -2 mbarg a -60 mbarg /
Standard Pressure settings: 80 mbarg to 1.000 mbarg / Standard Vacuum settings: -2 mbarg to -60 mbarg



SERIE B200 – VÁLVULAS DE VACÍO CON MUELLE

SERIE B200 – VACUUM RELIEF VALVES SPRING LOADED

- **MODELO B200S 2", 3", 4", 6", 8" 10", 12"**
Válvula de vacío con muelle / Vacuum relief valve spring loaded
Tarados a vacío: -80 mbarg a -800 mbarg / Standard Vacuum settings: -80 mbarg to -800 mbarg



SERIE B300 – VÁLVULAS DE PRESIÓN CON MUELLE

SERIE B300 – PRESSURE RELIEF VALVES SPRING LOADED

- **MODELO B300S 2", 3", 4", 6", 8" 10", 12"**
Válvula de presión con muelle / Vacuum relief valve spring loaded
Tarados a presión: 90 mbarg a 1.000 mbarg / Standard Pressure settings: 90 mbarg to 1.000 mbarg
- **MODELO B300CVS 2", 3", 4", 6", 8" 10", 12"**
Válvula de presión con muelle y escape conducido / Pressure relief valve spring loaded piped away
Tarados a presión: 80 mbarg a 1.000 mbarg / Standard Pressure settings: 80 mbarg to 1.000 mbarg





3B CONTROLS

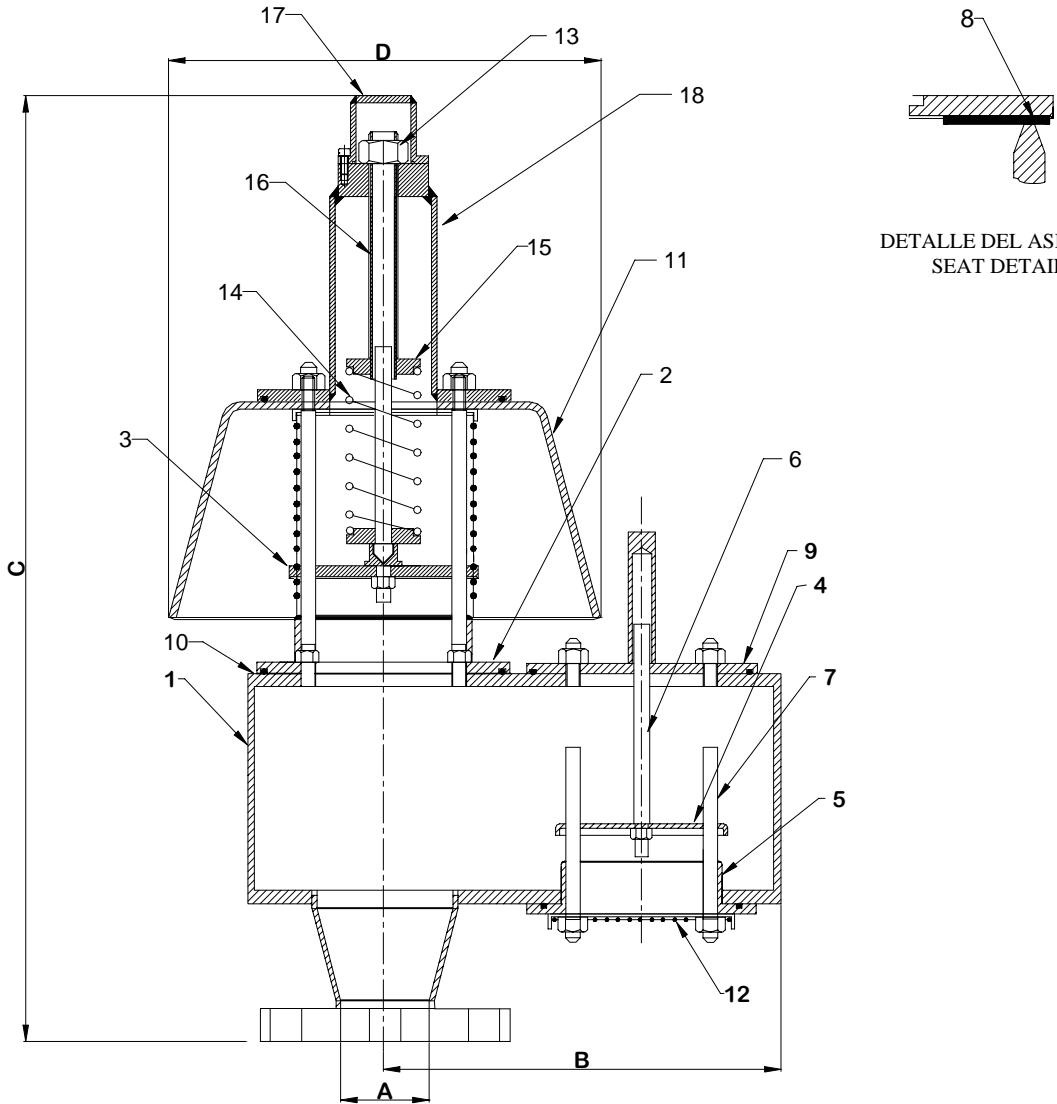
VÁLVULA DE PRESIÓN CON MUELLE Y VACÍO
PRESSURE AND VACUUM RELIEF VALVE SPRING LOADED

Modelo - Model

B100S

BRIDAS SEGÚN ANSI / DIN, OTRAS CONSULTAR
FLANGES IN ACCORDANCE WITH ANSI / DIN, OTHER ON REQUEST

| TAMAÑO SIZE | A | B | C | D |
|----------------|-----|-----|-----|-----|
| DN | mm | mm | mm | mm |
| 2" | 54 | 252 | 568 | 208 |
| 3" | 84 | 308 | 613 | 305 |
| 4" | 108 | 355 | 663 | 380 |
| 6" | 161 | 516 | 718 | 535 |
| 8" | 211 | 576 | 778 | 610 |
| 10" | 255 | 701 | 840 | 380 |
| 12" | 305 | 741 | 914 | 700 |



LISTA DE MATERIALES / MATERIALS AND PARTS LIST

| Nº NO. | DESCRIPCIÓN DESCRIPTION | MATERIAL MATERIALS |
|--------|---------------------------------------|-------------------------------------|
| 1 | CUERPO BODY | INOX./CARBONO SS/CS |
| 2 | ASIENTO DE PRESIÓN PRESSURE SEAT | ACERO INOXIDABLE STAINLESS STEEL |
| 3 | CLAPETA DE PRESIÓN PRESSURE PALLET | ACERO INOXIDABLE STAINLESS STEEL |
| 4 | CLAPETA DE VACÍO VACUUM PALLET | ACERO INOXIDABLE STAINLESS STEEL |
| 5 | ASIENTO DE VACÍO VACUUM SEAT | ACERO INOXIDABLE STAINLESS STEEL |
| 6 | VASTAGO DE PRESIÓN PRESSURE STEAM | ACERO INOXIDABLE STAINLESS STEEL |

| Nº NO. | DESCRIPCIÓN DESCRIPTION | MATERIAL MATERIALS |
|--------|-------------------------------|-------------------------------------|
| 7 | GUIAS GUIDE | ACERO INOXIDABLE STAINLESS STEEL |
| 8 | DIAPHRAGMA DIAPHRAGM | F.E.P. |
| 9 | TAPA DE VACÍO VACUUM COVER | INOX./CARBONO SS/CS |
| 10 | JUNTA TÓRICA "O" RING | NITRILO NITRILE |
| 11 | CAPERUZA WEATHERHOOD | ACERO INOXIDABLE STAINLESS STEEL |
| 12 | MALLAS SCREENS | ACERO INOXIDABLE STAINLESS STEEL |

| Nº NO. | DESCRIPCIÓN DESCRIPTION | MATERIAL MATERIALS |
|--------|--|-------------------------------------|
| 13 | TUERCA DE AJUSTE ADJUSTMENT RING | INOX./CARBONO SS/CS |
| 14 | MUELLE SPRING | ACERO INOXIDABLE STAINLESS STEEL |
| 15 | ARANDELA DEL MUELLE SPRING WASHER | ACERO INOXIDABLE STAINLESS STEEL |
| 16 | TORNILLO DE AJUNTE ADJUSTMENT SCREW | INOX./CARBONO SS/CS |
| 17 | TAPA DE LA CAPERUZA BONNET CAP | INOX./CARBONO SS/CS |
| 18 | CAPERUZA BONNET | ACERO INOXIDABLE STAINLESS STEEL |



3B CONTROLS

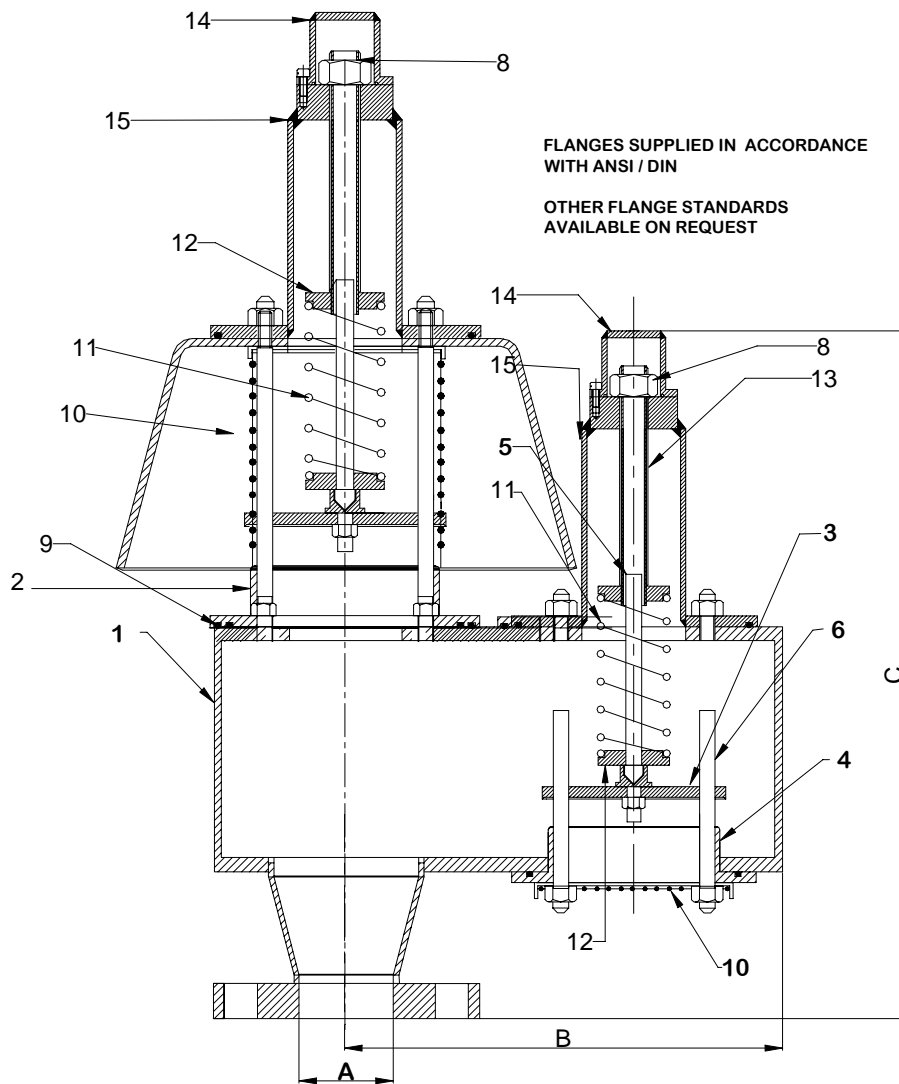
VÁLVULA DE PRESIÓN Y VACÍO CON MUELLE
PRESSURE AND VACUUM RELIEF VALVE SPRING LOADED

Modelo - Model

B100SS

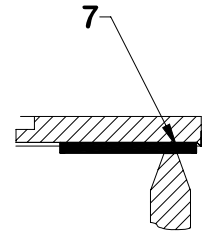
BRIDAS SEGÚN ANSI / DIN, OTRAS CONSULTAR
FLANGES IN ACCORDANCE WITH ANSI / DIN, OTHER ON REQUEST

| TAMAÑO SIZE | A | B | C | D |
|----------------|-----|-----|-----|-----|
| DN | mm | mm | mm | mm |
| 2" | 54 | 252 | 568 | 208 |
| 3" | 84 | 308 | 613 | 305 |
| 4" | 108 | 355 | 663 | 380 |
| 6" | 161 | 516 | 718 | 535 |
| 8" | 211 | 576 | 778 | 610 |
| 10" | 255 | 701 | 840 | 380 |
| 12" | 305 | 741 | 914 | 700 |



FLANGES SUPPLIED IN ACCORDANCE
WITH ANSI / DIN

OTHER FLANGE STANDARDS
AVAILABLE ON REQUEST



DETALLE DEL ASIENTO
SEAT DETAIL

LISTA DE MATERIALES / MATERIALS AND PARTS LIST

| Nº NO. | DESCRIPCIÓN DESCRIPTION | MATERIAL MATERIALS |
|--------|---------------------------------------|-------------------------------------|
| 1 | CUERPO BODY | INOX./CARBONO SS/CS |
| 2 | ASIENTO DE PRESIÓN PRESSURE SEAT | ACERO INOXIDABLE STAINLESS STEEL |
| 3 | CLAPETA DE PRESIÓN PRESSURE PALLET | ACERO INOXIDABLE STAINLESS STEEL |
| 4 | CLAPETA DE VACÍO VACUUM PALLET | ACERO INOXIDABLE STAINLESS STEEL |
| 5 | ASIENTO DE VACÍO VACUUM SEAT | ACERO INOXIDABLE STAINLESS STEEL |
| 6 | VASTAGO DE PRESIÓN PRESSURE STEAM | ACERO INOXIDABLE STAINLESS STEEL |

| Nº NO. | DESCRIPCIÓN DESCRIPTION | MATERIAL MATERIALS |
|--------|-------------------------------|-------------------------------------|
| 7 | GUIAS GUIDE | ACERO INOXIDABLE STAINLESS STEEL |
| 8 | DIAFRAGMA DIAPHRAGM | F.E.P. |
| 9 | TAPA DE VACÍO VACUUM COVER | INOX./CARBONO SS/CS |
| 10 | JUNTA TÓRICA "O" RING | NITRILO NITRILE |
| 11 | CAPERUZA WEATHERHOOD | ACERO INOXIDABLE STAINLESS STEEL |
| 12 | MALLAS SCREENS | ACERO INOXIDABLE STAINLESS STEEL |

| Nº NO. | DESCRIPCIÓN DESCRIPTION | MATERIAL MATERIALS |
|--------|--|-------------------------------------|
| 13 | TUERCA DE AJUSTE ADJUSTMENT RING | INOX./CARBONO SS/CS |
| 14 | MUELLE SPRING | ACERO INOXIDABLE STAINLESS STEEL |
| 15 | ARANDELA DEL MUELLE SPRING WASHER | ACERO INOXIDABLE STAINLESS STEEL |
| 16 | TORNILLO DE AJUNTE ADJUSTMENT SCREW | INOX./CARBONO SS/CS |
| 17 | TAPA DE LA CAPERUZA BONNET CAP | INOX./CARBONO SS/CS |
| 18 | CAPERUZA BONNET | ACERO INOXIDABLE STAINLESS STEEL |



3B CONTROLS

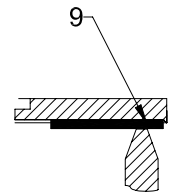
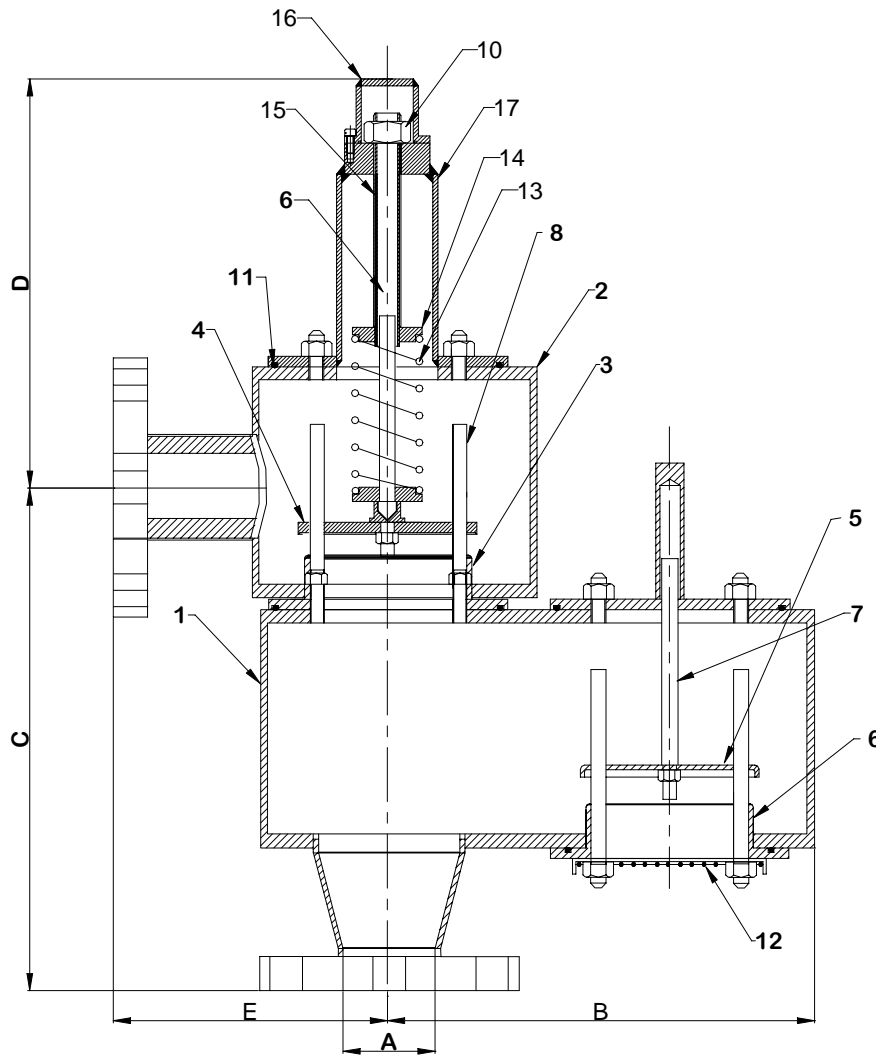
VÁLVULA DE PRESIÓN CON MUELLE, VACÍO Y ESCAPE CONDUCIDO
PRESSURE AND VACUUM RELIEF VALVE SPRING LOADED PIPED AWAY

Modelo - Model

B100CVS

BRIDAS SEGÚN ANSI / DIN, OTRAS CONSULTAR
FLANGES IN ACCORDANCE WITH ANSI / DIN, OTHER ON REQUEST

| TAMAÑO SIZE | A | B | C | D | E |
|----------------|-----|-----|-----|-----|-----|
| DN | mm | mm | mm | mm | mm |
| 2" | 54 | 252 | 285 | 314 | 135 |
| 3" | 84 | 308 | 328 | 325 | 160 |
| 4" | 108 | 355 | 410 | 352 | 185 |
| 6" | 161 | 516 | 471 | 355 | 251 |
| 8" | 211 | 576 | 505 | 393 | 289 |
| 10" | 255 | 701 | 623 | 490 | 332 |
| 12" | 305 | 741 | 716 | 540 | 382 |



DETALLE DEL ASIENTO
SEAT DETAIL

LISTA DE MATERIALES / MATERIALS AND PARTS LIST

| Nº NO. | DESCRIPCIÓN DESCRIPTION | MATERIAL MATERIALS |
|--------|---------------------------------------|---------------------------------------|
| 1 | CUERPO BODY | INOX/CARBONO/ALUMINI O SS/CS/AL |
| 2 | CUERPO CONDUCIDO CLOSED BODY | INOX/CARBONO/ALUMINI O SS/CS/AL |
| 3 | ASIENTO DE PRESIÓN PRESSURE SEAT | ACERO INOXIDABLE STAINLESS STEEL |
| 4 | CLAPETA DE PRESIÓN PRESSURE PALLET | ACERO INOXIDABLE STAINLESS STEEL |
| 5 | CLAPETA DE VACÍO VACUUM PALLET | ACERO INOXIDABLE STAINLESS STEEL |
| 6 | ASIENTO DE VACÍO VACUUM SEAT | ACERO INOXIDABLE STAINLESS STEEL |

| Nº NO. | DESCRIPCIÓN DESCRIPTION | MATERIAL MATERIALS |
|--------|-------------------------------------|-------------------------------------|
| 7 | VASTAGO DE CLAPETA PALLET STEAM | ACERO INOXIDABLE STAINLESS STEEL |
| 8 | GUIAS GUIDE | ACERO INOXIDABLE STAINLESS STEEL |
| 9 | DIAFRAGMA DIAPHRAGM | F.E.P. |
| 10 | TUERCA DE AJUSTE ADJUSTMENT RING | INOX./CARBONO SS/CS |
| 11 | JUNTA TÓRICA "O" RING | NITRILO NITRILE |
| 12 | MALLAS SCREENS | ACERO INOXIDABLE STAINLESS STEEL |

| Nº NO. | DESCRIPCIÓN DESCRIPTION | MATERIAL MATERIALS |
|--------|--|-------------------------------------|
| 13 | MUELLE SPRING | ACERO INOXIDABLE STAINLESS STEEL |
| 14 | ARANDELA DEL MUELLE SPRING WASHER | ACERO INOXIDABLE STAINLESS STEEL |
| 15 | T ORNILLO DE AJUNTE ADJUSMENT SCREW | INOX./CARBONO SS/CS |
| 16 | TAPA DE LA CAPERUZA BONNET CAP | INOX./CARBONO SS/CS |
| 17 | CAPERUZA BONNET | INOX./CARBONO SS/CS |



3B CONTROLS

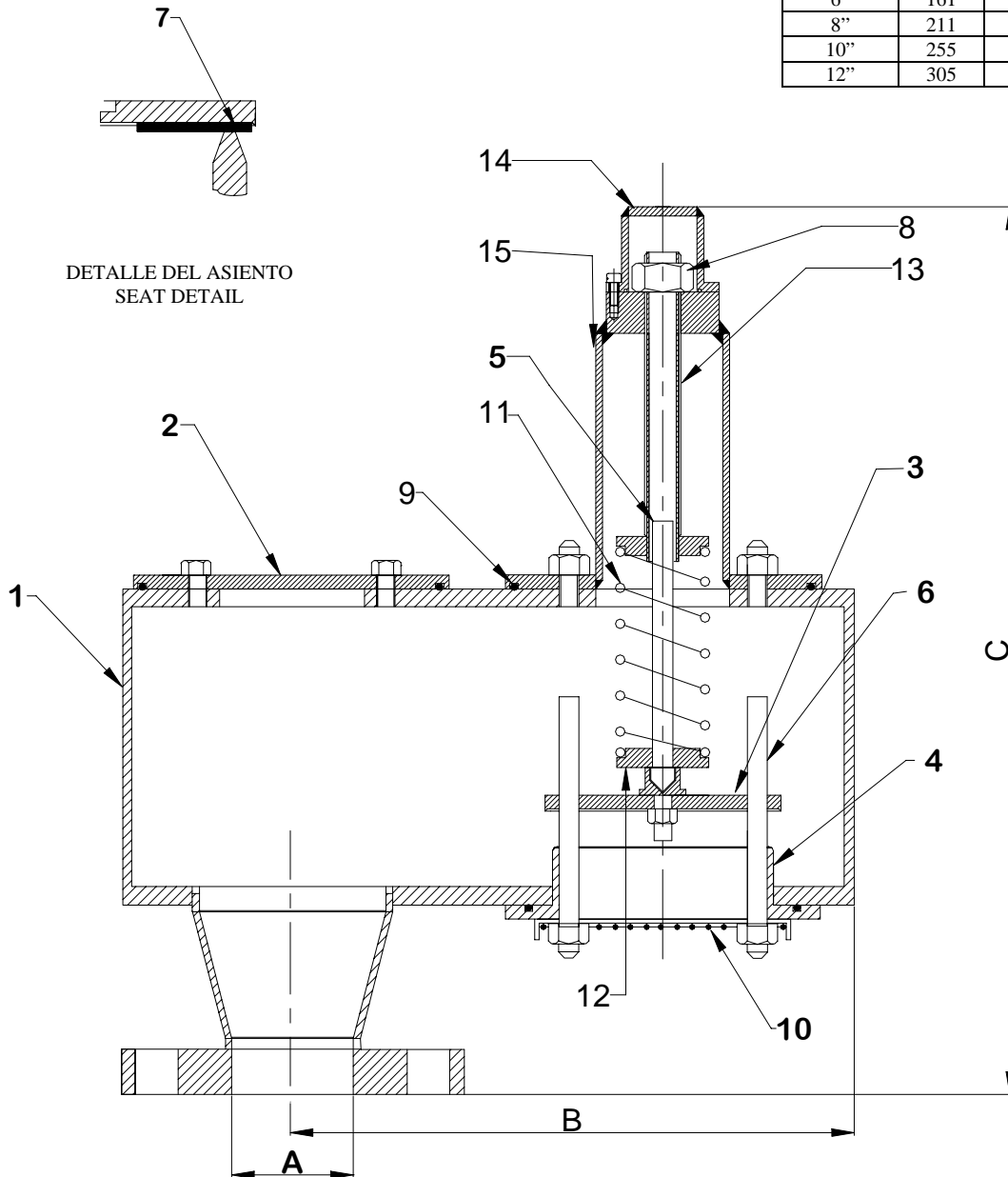
VÁLVULA DE VACÍO CON MUELLE
SPRING LOADED VACUUM RELIEF VALVE

Modelo - Model

B200S

BRIDAS SEGÚN ANSI / DIN, OTRAS CONSULTAR
FLANGES IN ACCORDANCE WITH ANSI / DIN, OTHER ON REQUEST

| TAMAÑO SIZE | A | B | C |
|----------------|-----|-----|-----|
| DN | mm | mm | mm |
| 2" | 54 | 252 | 250 |
| 3" | 84 | 308 | 287 |
| 4" | 108 | 355 | 330 |
| 6" | 161 | 516 | 380 |
| 8" | 211 | 576 | 437 |
| 10" | 255 | 701 | 743 |
| 12" | 305 | 741 | 823 |



LISTA DE MATERIALES / MATERIALS AND PARTS LIST

| Nº NO. | DESCRIPCIÓN DESCRIPTION | MATERIAL MATERIALS | Nº NO. | DESCRIPCIÓN DESCRIPTION | MATERIAL MATERIALS | Nº NO. | DESCRIPCIÓN DESCRIPTION | MATERIAL MATERIALS |
|--------|--------------------------------|--|--------|----------------------------------|-------------------------------------|--------|-------------------------------------|-------------------------------------|
| 1 | CUERPO BODY | INOX./CARBONO/ALUMINI O SS/CS/ALUMINIUM | 6 | GUIAS GUIDE | ACERO INOXIDABLE STAINLESS STEEL | 11 | MUELLE SPRING | ACERO INOXIDABLE STAINLESS STEEL |
| 2 | TAPA CIEGA BLANKING PLATE | INOX./CARBONO SS/CS | 7 | DIAFRAGMA DIAPHRAGM | F.E.P. | 12 | ARANDELA DEL MUELLE SPRING WASHER | ACERO INOXIDABLE STAINLESS STEEL |
| 3 | CLAPETA DE VACÍO VACUUM PALLET | ACERO INOXIDABLE STAINLESS STEEL | 8 | TUERCA DE AJUSTE ADJUSTMENT RING | INOX./CARBONO SS/CS | 13 | TORNILLO DE AJUNTE ADJUSTMENT SCREW | INOX./CARBONO SS/CS |
| 4 | ASIENTO DE VACÍO VACUUM SEAT | ACERO INOXIDABLE STAINLESS STEEL | 9 | JUNTA TÓRICA "O" RING | NITRILO NITRILE | 14 | TAPA DE LA CAPERUZA BONNET CAP | INOX./CARBONO SS/CS |
| 5 | VASTAGO DE VACÍO VACUUM STEAM | ACERO INOXIDABLE STAINLESS STEEL | 10 | MALLA SCREEN | ACERO INOXIDABLE STAINLESS STEEL | 15 | CAPERUZA BONNET | INOX./CARBONO SS/CS |



3B CONTROLS

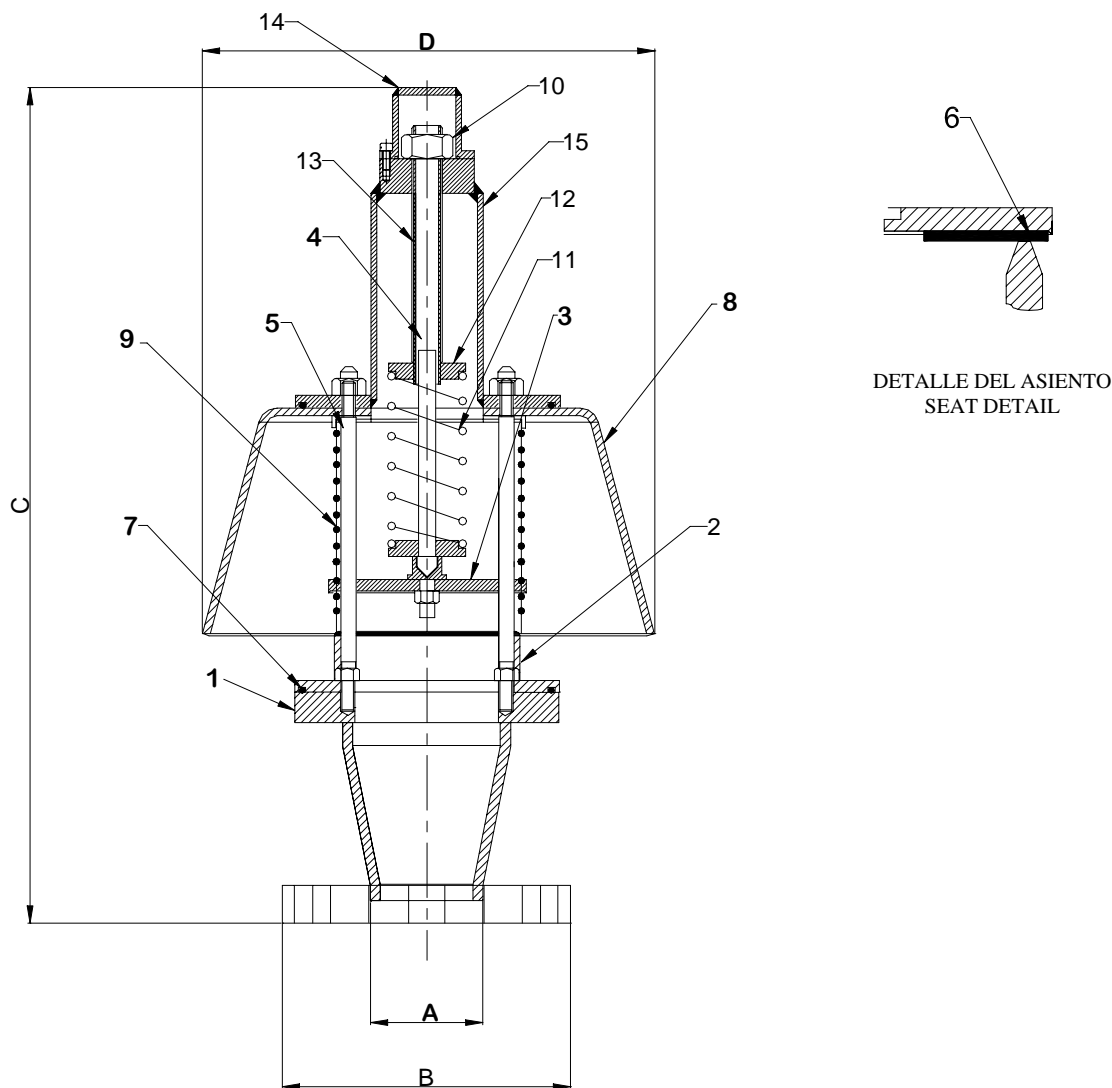
VÁLVULA DE PRESIÓN CON MUELLE
PRESSURE RELIEF VALVE SPRING LOADED

Modelo - Model

B300S

BRIDAS SEGÚN ANSI / DIN, OTRAS CONSULTAR
FLANGES IN ACCORDANCE WITH ANSI / DIN, OTHER ON REQUEST

| TAMAÑO SIZE | A | B | C | D |
|----------------|-----|-----|-----|-----|
| DN | mm | mm | mm | mm |
| 2" | 54 | 152 | 453 | 208 |
| 3" | 84 | 190 | 498 | 305 |
| 4" | 108 | 229 | 548 | 380 |
| 6" | 161 | 279 | 603 | 535 |
| 8" | 211 | 343 | 663 | 600 |
| 10" | 255 | 406 | 729 | 650 |
| 12" | 305 | 483 | 802 | 700 |



LISTA DE MATERIALES / MATERIALS AND PARTS LIST

| Nº NO. | DESCRIPCIÓN DESCRIPTION | MATERIAL MATERIALS |
|--------|---------------------------------------|--|
| 1 | CUERPO BODY | INOX/CARBONO/ALUMINI O SS/CS/ALUMINIUM |
| 2 | ASIENTO DE PRESIÓN PRESSURE SEAT | INOX./ALUMINIO SS./ALUMINIUM |
| 3 | CLAPETA DE PRESIÓN PRESSURE PALLET | INOX./ALUMINIO SS./ALUMINIUM |
| 4 | VASTAGO DE PRESIÓN PRESSURE STEAM | ACERO INOXIDABLE STAINLESS STEEL |
| 5 | GUIAS GUIDE | ACERO INOXIDABLE STAINLESS STEEL |

| Nº NO. | DESCRIPCIÓN DESCRIPTION | MATERIAL MATERIALS |
|--------|-------------------------------------|-------------------------------------|
| 6 | DIAPHRAGMA DIAPHRAGM | F.E.P. |
| 7 | JUNTA TÓRICA "O" RING | NITRIL NITRILE |
| 8 | CAPERUZA WHEATHERHOOD | ACERO INOXIDABLE STAINLESS STEEL |
| 9 | MALLA SCREEN | ACERO INOXIDABLE STAINLESS STEEL |
| 10 | TUERCA DE AJUSTE ADJUSTMENT RING | INOX./CARBONO SS/CS |

| Nº NO. | DESCRIPCIÓN DESCRIPTION | MATERIAL MATERIALS |
|--------|--|-------------------------------------|
| 11 | MUELLE SPRING | ACERO INOXIDABLE STAINLESS STEEL |
| 12 | ARANDELA DEL MUELLE SPRING WASHER | ACERO INOXIDABLE STAINLESS STEEL |
| 13 | TORNILLO DE AJUNTE ADJUSTMENT SCREW | INOX./CARBONO SS/CS |
| 14 | TAPA DE LA CAPERUZA BONNET CAP | INOX./CARBONO SS/CS |
| 15 | CAPERUZA BONNET | ACERO INOXIDABLE STAINLESS STEEL |



3B CONTROLS

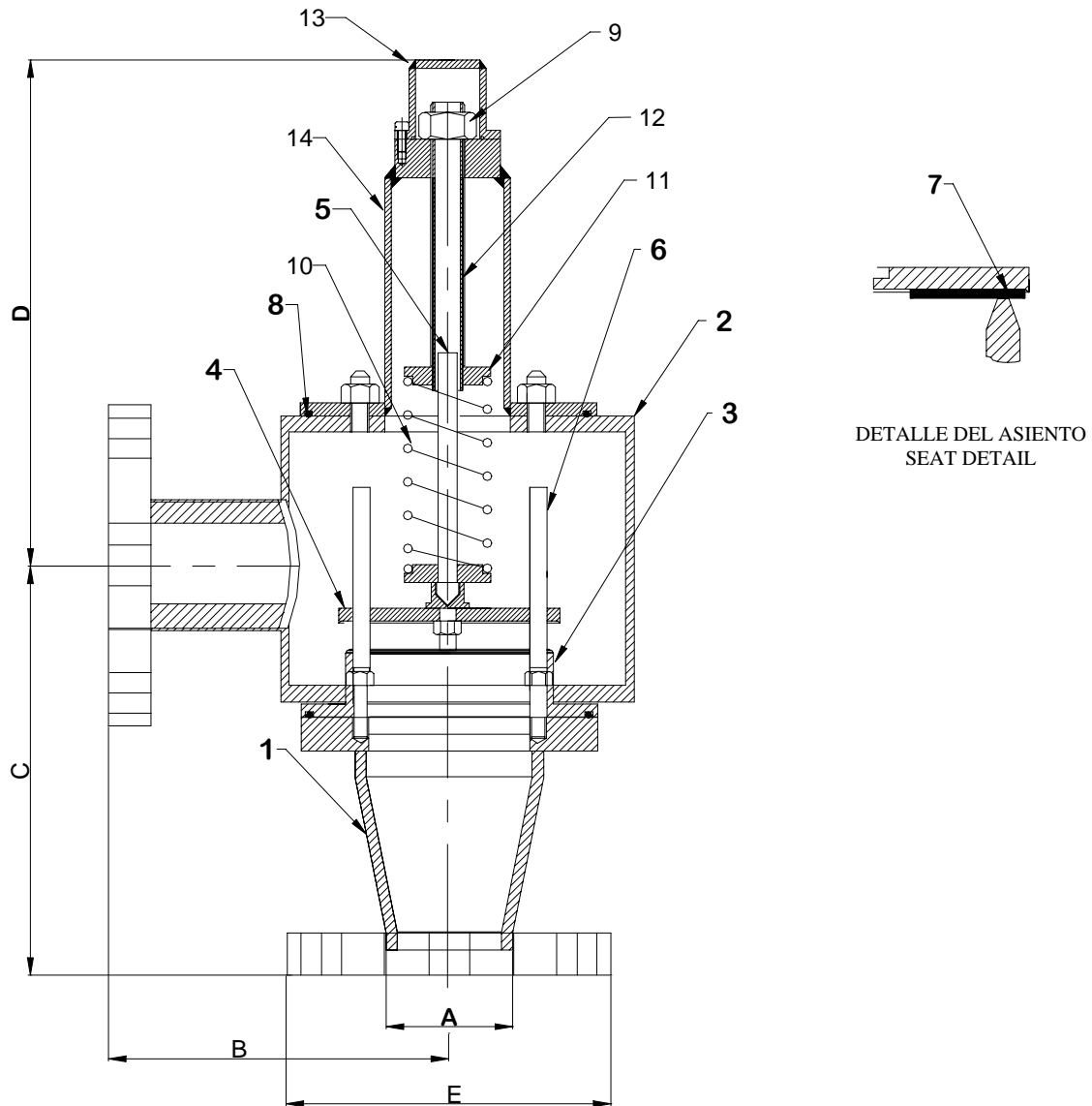
VÁLVULA DE PRESIÓN CON MUELLE Y ESCAPE CONDUCTIVO
PRESSURE ONLY PIPE AWAY SPRING LOADED

Modelo - Model

B300CVS

| TAMAÑO SIZE | A | B | C | D | E |
|----------------|-----|-----|-----|-----|-----|
| DN | mm | mm | mm | mm | mm |
| 2" | 54 | 140 | 177 | 278 | 152 |
| 3" | 84 | 160 | 222 | 303 | 190 |
| 4" | 108 | 185 | 251 | 352 | 229 |
| 6" | 161 | 251 | 293 | 355 | 279 |
| 8" | 211 | 289 | 337 | 393 | 343 |
| 10" | 255 | 332 | 287 | 490 | 406 |
| 12" | 305 | 382 | 445 | 540 | 483 |

BRIDAS SEGÚN ANSI / DIN, OTRAS CONSULTAR
FLANGES IN ACCORDANCE WITH ANSI / DIN, OTHER ON REQUEST



LISTA DE MATERIALES / MATERIALS AND PARTS LIST

| Nº NO. | DESCRIPCIÓN DESCRIPTION | MATERIAL MATERIALS |
|--------|---------------------------------------|--|
| 1 | CUERPO BODY | INOX/CARBONO/ALUMINI O SS/CS/ALUMINIUM |
| 2 | CUERPO CONDUCTIVO CLOSED BODY | INOX/CARBONO/ALUMINI O SS/CS/ALUMINIUM |
| 3 | ASIENTO DE PRESIÓN PRESSURE SEAT | INOX./ALUMINIO SS/ALUMINIUM |
| 4 | CLAPETA DE PRESIÓN PRESSURE PALLET | INOX./ALUMINIO SS/ALUMINIUM |
| 5 | VASTAGO DE PRESIÓN PRESSURE STEAM | ACERO INOXIDABLE STAINLESS STEEL |

| Nº NO. | DESCRIPCIÓN DESCRIPTION | MATERIAL MATERIALS |
|--------|-------------------------------------|-------------------------------------|
| 6 | GUIAS GUIDE | ACERO INOXIDABLE STAINLESS STEEL |
| 7 | DIAPHRAGMA DIAPHRAGM | F.E.P. |
| 8 | JUNTA TÓRICA "O" RING | NITRIL NITRILE |
| 9 | TUERCA DE AJUSTE ADJUSTMENT RING | INOX./CARBONO SS/CS |
| 10 | MUELLE SPRING | ACERO INOXIDABLE STAINLESS STEEL |

| Nº NO. | DESCRIPCIÓN DESCRIPTION | MATERIAL MATERIALS |
|--------|--|-------------------------------------|
| 11 | ARANDELA DEL MUELLE SPRING WASHER | ACERO INOXIDABLE STAINLESS STEEL |
| 12 | TORNILLO DE AJUNTE ADJUSTMENT SCREW | INOX./CARBONO SS/CS |
| 13 | TAPA DE LA CAPERUZA BONNET CAP | INOX./CARBONO SS/CS |
| 14 | CAPERUZA BONNET | ACERO INOXIDABLE STAINLESS STEEL |